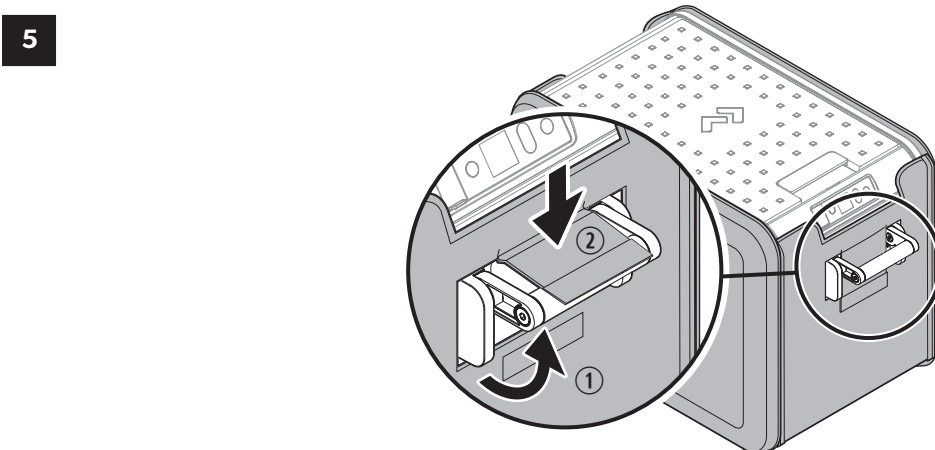
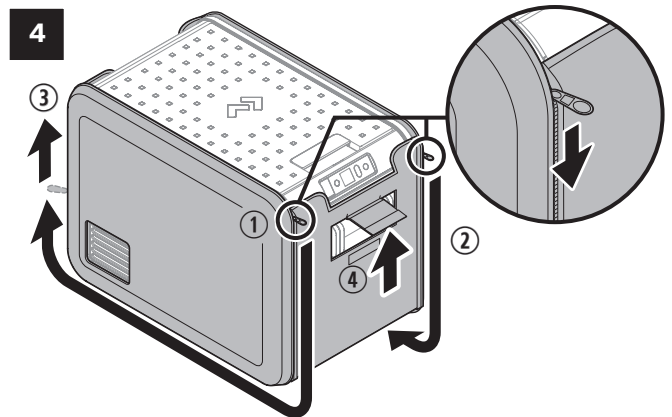
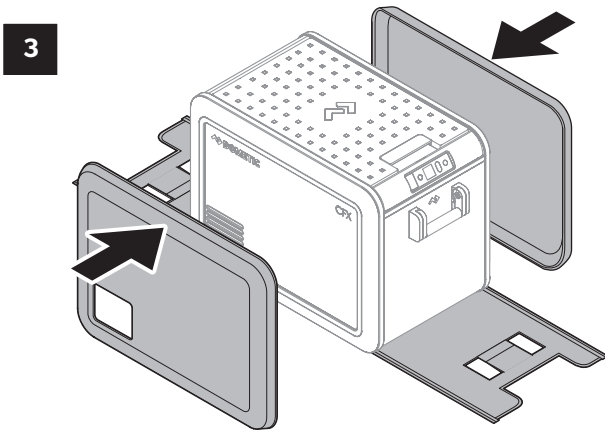
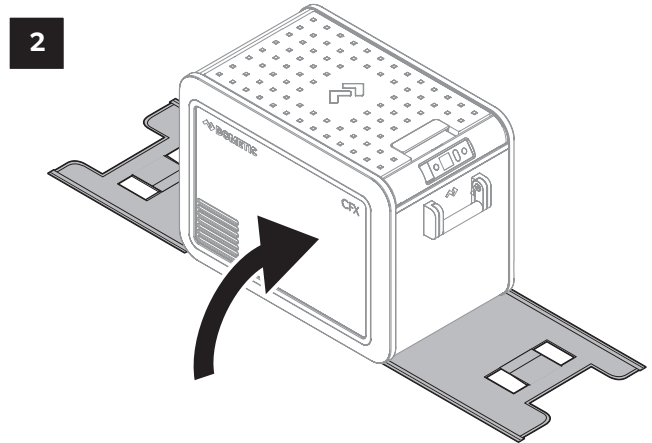
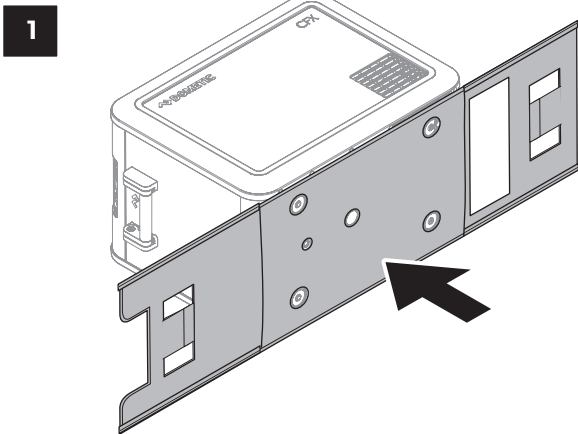
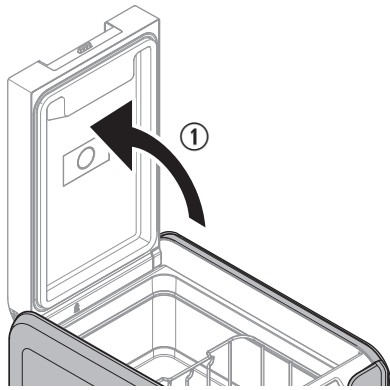


### CFX3 25, 35, 45

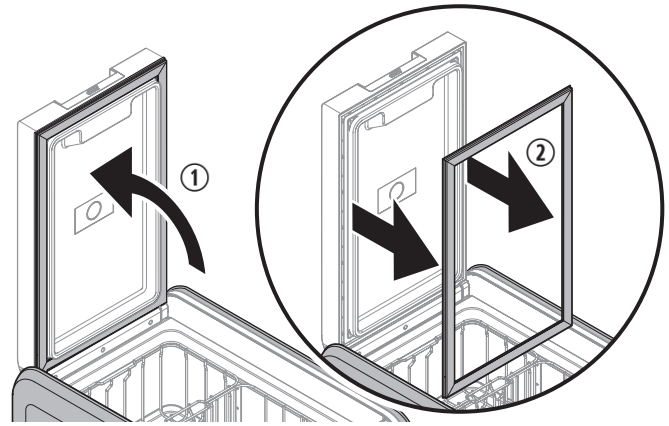


6

CFX3 25

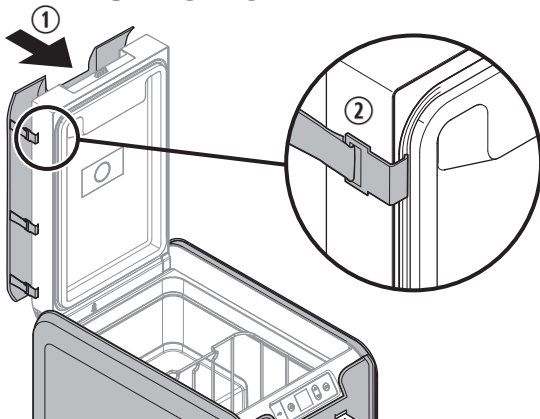


CFX3 35, 45

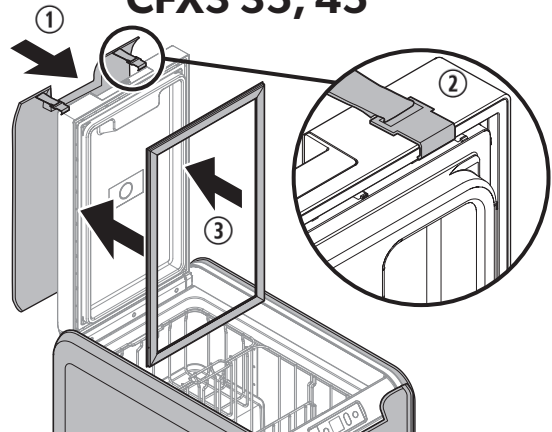


7

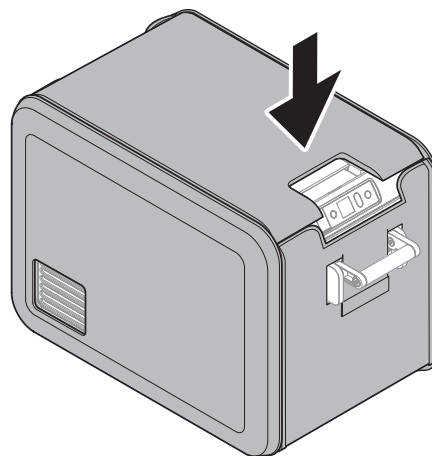
CFX3 25



CFX3 35, 45



8



## 1 Warranty Information

Refer to the sections below for information about warranty and warranty support in the US, Canada, Australia, New Zealand, and all other regions.

### 1.1 United States and Canada

LIMITED WARRANTY AVAILABLE AT [WWW.DOMETIC.COM/WARRANTY](http://WWW.DOMETIC.COM/WARRANTY).

IF YOU HAVE QUESTIONS, OR TO OBTAIN A COPY OF THE LIMITED WARRANTY FREE OF CHARGE, CONTACT:

DOMETIC CORPORATION  
CUSTOMER SUPPORT CENTER  
5155 VERDANT DR  
ELKHART, INDIANA, USA 46516  
1-800-544-4881 OPT 1

### 1.2 Asia-Pacific (APAC) Countries

If the product does not work as it should, please contact your retailer or the manufacturer's branch in your country (see the back of this instruction manual for the web addresses to locate your region or retailer). The warranty applicable to your product is 1 year.

For repair and warranty processing, please include the following documents when you send in the device:

- A copy of the receipt with purchasing date
- A reason for the claim or description of the fault

#### 1.2.1 Australia Only

Our goods come with guarantees that cannot be excluded under the Australian Consumer Law. You are entitled to a replacement or refund for a major failure and for compensation for any other reasonably foreseeable loss or damage. You are also entitled to have the goods repaired or replaced if the goods fail to be of acceptable quality and the failure does not amount to a major failure.

#### 1.2.2 New Zealand Only

This warranty policy is subject to the conditions and guarantees which are mandatory as implied by the Consumer Guarantees Act 1993(NZ).

### 1.3 All Other Regions

The statutory warranty period applies. If the product is defective, please contact the manufacturer's branch in your region or your retailer (see the back of this instruction manual for the web addresses to locate your region or retailer).

For repair and guarantee processing, please include the following documents when you send in the device:

- A copy of the receipt with purchasing date
- A reason for the claim or description of the fault

## 2 Informations de garantie

Voir les sections ci-dessous pour des renseignements sur la garantie et l'assistance sous garantie aux États-Unis, au Canada, en Australie, en Nouvelle-Zélande et dans toutes les autres régions.

### 2.1 États-Unis et Canada

GARANTIE LIMITÉE DISPONIBLE À [WWW.DOMETIC.COM/WARRANTY](http://WWW.DOMETIC.COM/WARRANTY).

POUR TOUTE QUESTION OU POUR OBTENIR UNE COPIE GRATUITE DE LA GARANTIE LIMITÉE, CONTACTER :

DOMETIC CORPORATION  
CUSTOMER SUPPORT CENTER  
5155 VERDANT DR  
ELKHART, INDIANA, ÉTATS-UNIS 46516  
1-800-544-4881 OPT 1

### 2.2 Pays de la région Asie-Pacifique (APAC)

Si le produit ne fonctionne pas comme prévu, communiquez avec la filiale du fabricant dans votre région ou votre revendeur (voir les adresses Web au dos de ce manuel pour les localiser). La garantie applicable au produit est de un an.

Pour le traitement des réparations ou de la garantie, veuillez inclure les documents suivants lors de l'envoi de l'appareil :

- Une copie du justificatif d'achat comprenant la date de l'achat.
- Une explication de la demande ou une description de la défaillance.



**YOUR LOCAL DEALER**  
[dometic.com/dealer](https://dometic.com/dealer)

**YOUR LOCAL SUPPORT**  
[dometic.com/contact](https://dometic.com/contact)

**YOUR LOCAL SALES OFFICE**  
[dometic.com/sales-office](https://dometic.com/sales-office)

A complete list of Dometic companies, which comprise the Dometic Group, can be found in the public filings of:

**DOMETIC GROUP AB** Hemvärnsgatan 15 SE-17154 Solna Sweden